



# ASTROPHYSICS™

TOMORROW'S TECHNOLOGY FOR TODAY'S SECURITY



## XIS-1517DV 200kV

## Highest Penetration in the Market Dual View Security: Pallet and Cargo Inspection



### TRANSPORTATION

Airport entrances and perimeters,  
air cargo, and checkpoint technology.



### PORTS & BORDERS

Border control, sea ports, and  
other large cargo sectors.



### CRITICAL INFRASTRUCTURE

Access control for prisons, courthouses,  
mailrooms, hotel entrances and  
military bases.

The XIS-1517DV 200kV is an advanced X-Ray Inspection System with a tunnel opening of 150 cm x 170.2 cm (59" x 67"). The XIS-1517DV 200kV utilizes both dual view technology and high powered generators for improved image screening and increased penetration. The XIS-1517DV 200kV was specifically designed for in-depth screening clarity of customs and military cargo.

The XIS-1517DV 200kV has a low conveyor height of just 38.3 cm (15") and can support 2000 kg (4409 lbs) of cargo without compromising throughput speed, adding to the efficiency and security of any facility or transport hub. The XIS-1517DV 200kV is a quality XIS unit that offers the most cutting edge technology in cargo security.

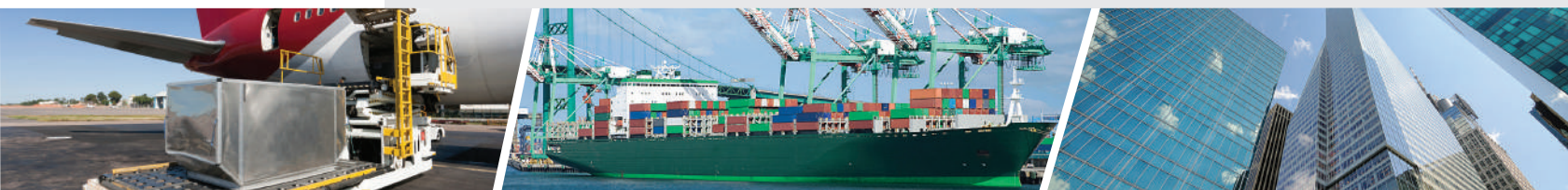
All Astrophysics X-ray Inspection Systems are equipped with Real-Time Diagnostics, a unique Astrophysics feature which allows users to monitor system health. This software was specifically engineered to save you valuable time and money. If requested, Astrophysics would also be able to connect to your system and troubleshoot any issues remotely.

An exclusive Astrophysics option is our 6 Color Imaging, which enables operators to view screened objects in 6 colors, each color correlating to a specific range of Atomic Z-Numbers. 6 Color Imaging enables operators to achieve optimal material identification which improves throughputs.

Astrophysics is committed to providing quality products and services nationwide. We listen to our customers and offer customizations and order flexibility based on their needs.

Backed by a team of engineers from our City of Industry, California center of excellence headquarters, Astrophysics designs cutting-edge X-ray screening technology for detecting weapons and contraband for transportation, ports, borders, critical infrastructure and other industries that present security risks.

Astrophysics is headquartered in the United States and maintains a global presence with service delivery worldwide. Astrophysics is committed to global safety and is proud to present this new age of screening security—driving the industry into the technology of tomorrow.





## GENERAL SPECIFICATIONS

- Tunnel Size: 150 cm x 170.2 cm  
(W x H) 59" x 67"
- Dimensions: 853.1 cm x 259.1 cm x 286.3 cm  
(L x W x H) 335.9" x 102" x 112.7"
- Shipping Dimensions: 1x 294.6 cm x 143.5 cm x 251.5 cm  
(L x W x H) 116" x 56.5" x 99"
- 3x 218.4 cm x 143.5 cm x 251.5 cm  
86" x 56.5" x 99"
- 2x 203.2 cm x 190.5 cm x 81.3 cm  
80" x 75" x 32"
- 1x 218.4 cm x 143.5 cm x 88.9 cm  
86" x 56.5" x 35"
- Net Weight<sup>2</sup>: 5300 kg (11685 lbs)
- Shipping Weight<sup>2</sup>: 6900 kg (15212 lbs)
- Roller Bed Speed: 10 cm/s (20 ft or 6m/min) Forward or Reverse
- Roller Bed Height: 38.3 cm (15") from Floor
- Roller Bed Capacity: 2000 kg (4409 lbs) Evenly Distributed Load

## TECHNICAL

- Wire Resolution: 40 AWG Typical, 38 AWG Standard
- Spatial Resolution: 1.3 mm Horizontal, 1.3 mm Vertical
- Steel Penetration<sup>1</sup>: 52 mm Typical, 50 mm Standard
- Contrast Sensitivity: 24 Visible Levels, 4096 Gray Level
- Film Safety: Guaranteed up to ISO 1600 (33DIN)

## X-RAY GENERATOR

- Voltage: Dual 200kV
- Tube Current: Dual 1.0 mA
- Duty Cycle: 100%, No Warm-Up Procedure Required
- Beam Direction: Horizontally Sideward, Vertically Downward
- Detector: 4352 Channels in an L-Shaped Array

## COMPUTER

- Processor: Intel® Core i5, 3.1 GHz, 6MB cache
- Memory: 4 GB RAM at 1333 MHz
- Storage: 500 GB HDD
- Video Card: 1 GB, Dual Digital Display
- Platform: Windows® OS
- Backup: Uninterruptible Power Supply  
(Computer Operation - 20 Minute)

## VIDEO

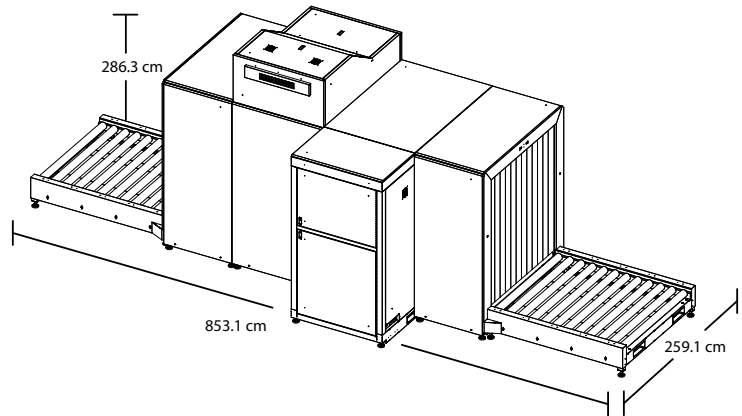
- Display Type: Dual 24" LCD Color Monitors
- Display Resolution: 1600 x 1200; 24 Bit/Pixel Color

## ENVIRONMENTAL

- Operating Temperature: 0°C - 40°C \ 32°F - 104°F
- Storage Temperature: -20°C - 60°C \ -4°F - 140°F
- Humidity: Up to 95% Non-Condensing

## ELECTRICAL

- Power Requirements: 110VAC ±10%, 50/60Hz, 20 Amp Max  
220VAC ±10%, 50/60Hz, 15 Amp Max



## STANDARD FEATURES

- 6 Color Imaging
- 9 Quadrant Zoom
- Atomic Z-Number Measurement
- Auto Image Archiving (150,000)
- Baggage Counter
- Color and Black/ White Imaging
- Continuous Scanning
- Continuous Zoom up to 64x
- Vertical Zoom Panning
- Geometric Image Distortion Correction
- High Penetration Function
- Heavy Duty Roller Bed
- Image Annotation
- Image Review
- Manual Bitmap Archive
- Material Discrimination
- Multi-Tier Accessibility
- Network Ready
- Organic/ Inorganic Imaging
- Operator Training
- Picture Perfect
- Print Image Capable
- Pseudo Color
- Real-Time Image Manipulation
- Real-Time Self Diagnostics
- Reverse Monochrome

## OPTIONAL FEATURES<sup>3</sup>

- Computer Based Training (CBT)
- Conveyor Capacity 3000 kg (6614 lbs) Evenly Distributed Load
- Custom Paint
- Density Alert
- Extended Entry/ Exit Roller Tables
- Footmat Operator Interlock
- Local Language Support
- Polar Kit
- Radiation Meter
- Remote Workstation Configuration
- Screener Assist Software
- Test Case
- Threat Image Protection (TIP) Software
- Tropical Kit
- Wireless Barcode Scanning

## HEALTH AND SAFETY

- Compliant with USFDA, Center for Devices and Radiation Health Standards for Cabinet X-Ray Systems (21-CFR 1020.40)
- Typical radiation leakage is less than 0.1 mR/hr (Leakage less than 0.5 mR/hr permitted by the Federal Standard)



<sup>1</sup> As tested on Astrophysics Inc. Test Piece.

<sup>2</sup> Weight of the system may vary depending on customization.

<sup>3</sup> Optional features may affect lead time price, and weight of XIS-1517DV. Please contact your Astrophysics Sales Representative for more information.

Due to continued product research and development, Astrophysics Inc. reserves the right to amend all technical specifications without prior notice.