



ASTROPHYSICS™

TOMORROW'S TECHNOLOGY FOR TODAY'S SECURITY



XIS-5335

Superior Compact Screening

Checkpoint Security: Mail and Small Parcel Inspection



TRANSPORTATION

*Airport entrances and perimeters,
air cargo, and checkpoint technology.*



PORTS & BORDERS

*Border control, sea ports, and
other large cargo sectors.*



CRITICAL INFRASTRUCTURE

*Access control for prisons, courthouses,
mailrooms, hotel entrances and
military bases.*

The XIS-5335 is a compact X-Ray Inspection System with tunnel dimensions 53.3 cm x 35.6 cm (21.0" x 14.0"). The XIS-5335 is the smallest system in the XIS series and is designed for screening objects ranging from mailroom parcels to purses and backpacks.

The XIS-5335 has been installed at various checkpoint locations including government buildings, private hotels, and corporate mailrooms. Mounted on a compact frame with heavy duty roller casters, the XIS-5335 can be easily relocated to any site in need of an immediate screening solution.

The XIS-5335 offers the best in compact checkpoint security: quality, low cost ownership, flexibility and performance.

All Astrophysics X-ray Inspection Systems are equipped with Real-Time Diagnostics, a unique Astrophysics feature which allows users to monitor system health. This software was specifically engineered to save you valuable time and money. If requested, Astrophysics would also be able to connect to your system and troubleshoot any issues remotely.

An exclusive Astrophysics option is our 6 Color Imaging, which enables operators to view screened objects in 6 colors, each color correlating to a specific range of Atomic Z-Numbers. 6 Color Imaging enables operators to achieve optimal material identification which improves throughputs.

Astrophysics is committed to providing quality products and services nationwide. We listen to our customers and offer customizations and order flexibility based on their needs.

Backed by a team of engineers from our City of Industry, California center of excellence headquarters, Astrophysics designs cutting-edge X-ray screening technology for detecting weapons and contraband for transportation, ports, borders, critical infrastructure and other industries that present security risks.

Astrophysics is headquartered in the United States and maintains a global presence with service delivery worldwide. Astrophysics is committed to global safety and is proud to present this new age of screening security—driving the industry into the technology of tomorrow.





XIS-5335

GENERAL SPECIFICATIONS

- Tunnel Opening: 53.3 cm x 35.6 cm
(W x H) 21.0" x 14.0"
- Dimensions²: 131.3 cm x 76.4 cm x 122.5 cm
(L x W x H) 51.7" x 30.1" x 48.2"
- Shipping Dimensions²: 144.8 cm x 86.3 cm x 165.0 cm
(L x W x H) 57.0" x 34.0" x 65.0"
- Net Weight²: 345 kg (761 lbs)
- Shipping Weight²: 505 kg (1113 lbs)
- Conveyor Speed: 23 m/s (45 ft/min) Forward or Reverse
- Conveyor Height: 72.9 cm (28.7") from Floor
- Conveyor Capacity: 165 kg (364 lbs) Evenly Distributed Load

TECHNICAL

- Sensitivity: 40 AWG Typical, 38 AWG Standard
- Spatial Resolution: 1.0 mm Horizontal, 1.0 mm Vertical
- Steel Penetration: 12 mm Typical, 10 mm Standard
- Contrast Sensitivity: 24 Visible Levels, 4096 Gray Level
- Film Safety: Guaranteed up to ISO 1600 (33 DIN)

X-RAY GENERATOR

- Voltage: 90kV, Operating at 84kV
- Tube Current: 0.6 mA
- Cooling: Sealed Di-Electric Oil Bath with Forced Air
- Duty Cycle: 100%, No Warm-Up Procedure Required
- Beam Direction: Diagonally Upward
- Detector: 1024 Channels in an L-Shaped Array

COMPUTER

- Processor: Intel® Core i5
- Memory: 4 GB RAM
- Storage: 500 GB HDD, 120 GB SSD
- Video Card: 1 GB Video Card
- Platform: Windows® OS
- Backup: Uninterruptible Power Supply (Computer Operation- 20min)

VIDEO

- Display Type: Single 19" LCD Color Monitor
- Display Resolution: 1280 x 1024; 24 Bit/Pixel Color

ENVIRONMENTAL

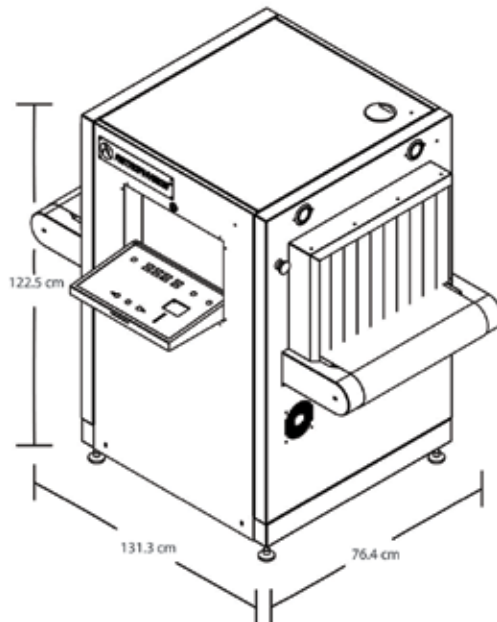
- Operating Temperature: 0°C - 40°C \ 32°F - 104°F
- Storage Temperature: -20°C - 60°C \ -4°F - 140°F
- Humidity: Up To 95% Non-Condensing

ELECTRICAL

- Power Requirements (XIS): 110VAC ±10%, 50/60Hz, 15 Amp Max
(for XIS) 220VAC ±10%, 50/60Hz, 10 Amp Max

HEALTH AND SAFETY

- Compliant with USFDA, Center for Devices and Radiation Health Standards for Cabinet X-Ray Systems (21-CFR 1020.40)
- Typical Radiation leakage is less than 0.1 mR/hr (Leakage less than 0.5 mR/hr permitted by the Federal Standard)



STANDARD FEATURES

- 6 Color Imaging
- 9 Quadrant Zoom
- Atomic Z-Number Measurement
- Auto Image Archiving (150,000)
- Baggage Counter
- Color and Black / White Imaging
- Continuous Scanning
- Continuous Zoom up to 64x
- Geometric Image Distortion Correction
- High Penetration Function
- Heavy Duty Roller Casters
- Image Annotation
- Image Review
- JPEG Conversion
- Material Discrimination
- Multi-Tier Accessibility
- Network Ready
- Operator Training Program (OTP)
- Organic/ Inorganic Imaging
- Picture Perfect
- Print Image Capable
- Pseudo Color
- Real-Time Image Manipulation
- Real-Time Self Diagnostics
- Reverse Monochrome
- Save Image (RGB)
- Vertical Zoom Panning

OPTIONAL FEATURES³

- 24" LCD Monitor
- Custom Paint
- Density Alert
- Dual Monitors (19" or 24" LCD)
- Entry / Exit Roller Tables (50 cm Increments)
- Footmat Operator Interlock
- Image Analysis Program (IAP)
- Image Analysis Program - LITE (IAP - LITE)
- Larger Heavy Duty Casters
- Local Language Support
- Polar Kit
- Radiation Meter
- Remote Workstation Configuration
- Screener Assist Software
- Sloped Conveyor
- Test Case
- Threat Image Protection (TIP) Software
- Tropical Kit
- Wireless Barcode Scanning



¹ As tested on Astrophysics Inc. Test Piece.

² Weight and dimensions of the system may vary depending on customization.

³ Optional Features may affect lead time, price, and weight of XIS-5335. Please contact your Astrophysics Sales Representative for more information. Due to continued product research and development, Astrophysics Inc. reserves the right to amend all technical specifications without prior notice.