

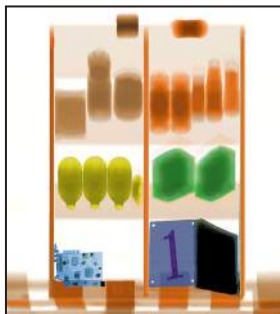


XIS-5335S

High Penetration Compact Screening Checkpoint Security: Mail and Small Parcel Inspection



6 Color Imaging



Real-Time Diagnostics



The XIS-5335S is a small yet powerful X-Ray Inspection System with a tunnel size of **53.3 cm x 35.4 cm (21" x 14")**. The XIS-5335S is the ideal system for **screening small scale objects with increased penetration**, revealing liquid explosives, IEDs, contraband, narcotics and weapons.

The system is equipped with a high energy **160kV generator**, providing advanced image quality and **unrivaled penetration**. Likewise, with such a small footprint, the XIS-5335S fits through most doorways and elevators for **fast relocation**.

The XIS-5335S has been placed at **government facilities** including embassies, courthouses, and schools, as well as **corporate and medical sites**.

Astrophysics has the **fastest delivery times**. We offer immediate screening solutions with **unparalleled order flexibility and customization**.

All XIS Systems are equipped with **Real-Time Diagnostics**, a unique Astrophysics feature which allows users to monitor their machine health, thus greatly **increasing the system lifespan**.

An exclusive Astrophysics standard feature, **6 Color Imaging** enables operators to view screened objects in 6 colors, with each color correlating to a specific range of Atomic Z-Numbers. 6 Color Imaging enables operators to achieve **optimal material identification** and improve throughput with more effective screening technology.

Backed by a team of experts with more than **100 years of combined industry experience**, Astrophysics has the expansive knowledge you expect, all with a focus on X-Ray that assures customers **the XIS product is the industry best**.

The XIS Series features **top-of-the-line software and hardware technology** establishing Astrophysics as the **leader in innovation and quality**.

Astrophysics is headquartered in the United States, but maintains multiple field offices worldwide for **localized support**.

For your convenience, we also retain a dedicated Sales and Service team committed to providing a **personalized and timely response 24/7**.

General Specifications

| | |
|----------------------------------|--|
| • Tunnel Size: | 53.3 cm x 35.4 cm (W x H) |
| • Dimensions: | 132 cm x 76.2 cm x 123 cm (L x W x H) |
| • Shipping Dimensions: | 147.3 cm x 89 cm x 151.1 cm (L x W x H) |
| • Net Weight ² : | 355 kg (780 lbs) |
| • Shipping Weight ² : | 485 kg (1070 lbs) |
| • Conveyor Speed: | 23 cm/s (45 ft/min) Forward or Reverse |
| • Conveyor Height: | 73 cm (29") from Floor |
| • Conveyor Capacity: | 165 kg (360 lbs) Evenly Distributed Load |

Technical

| | |
|------------------------------------|------------------------------------|
| • Wire Resolution: | 40 AWG Typical, 38 AWG Standard |
| • Spatial Resolution: | 1.0 mm Horizontal, 1.0 mm Vertical |
| • Steel Penetration ¹ : | 39 mm Typical, 37 mm Standard |
| • Contrast Sensitivity: | 24 Visible Levels, 4096 Gray Level |

X-Ray Generator

| | |
|-------------------|---|
| • Voltage: | 160kV, Operating at 150kV |
| • Tube Current: | 0.7 mA |
| • Cooling: | Sealed Di-Electric Oil Bath with Forced Air |
| • Duty Cycle: | 100%, No Warm-Up Procedure Required |
| • Beam Direction: | Diagonally Upward |
| • Detector: | 1024 Channels in an L-Shaped Array |

Computer

| | |
|---------------|--|
| • Processor: | Intel® Core i5, 3.1 GHz, 6MB cache |
| • Memory: | 2 GB RAM at 1333 MHz |
| • Storage: | 500 GB HDD |
| • Video Card: | 1 GB Video Card, Dual Digital Display |
| • Platform: | Windows® XP Pro |
| • Backup: | Uninterrupted Power Supply (Computer Operation- 20 min) |

Video

| | |
|-----------------------|---------------------------------|
| • Display Type: | Single 19" LCD Color Monitor |
| • Display Resolution: | 1280 x 1024; 24 bit/pixel Color |

Environmental

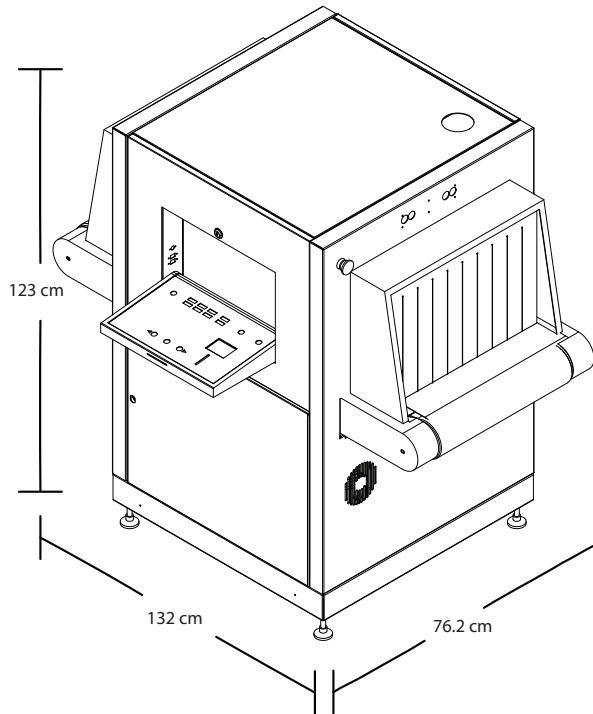
| | |
|--------------------------|-----------------------------|
| • Operating Temperature: | 0°C - 40°C \ 32°F - 104°F |
| • Storage Temperature: | -20°C - 60°C \ -4°F - 140°F |
| • Humidity: | Up to 95% Non-Condensing |

Electrical

| | |
|-----------------------|--|
| • Power Requirements: | 110VAC ±10%, 50/60Hz, 15 Amp Max 220VAC ±10%, 50/60Hz, 10 Amp Max |
|-----------------------|--|

Health and Safety

- Compliant with USFDA, Center for Devices and Radiation Health Standards for Cabinet X-Ray Systems (21-CFR 1020.40).
- Typical Radiation leakage is less than 0.1 mR/hr (Leakage less than 0.5 mR/hr permitted by the Federal Standard.)



Standard Features

- 6 Color Imaging
- 9 Quadrant Zoom
- Atomic Z-Number Measurement
- Auto Image Archiving
- Baggage Counter
- Color and Black / White Imaging
- Continuous Scanning
- Continuous Zoom up to 64x
- Vertical Zoom Panning
- Edge-Enhancement Imaging
- Geometric Image Distortion Correction
- High Penetration Function
- Heavy Duty Roller Casters
- Image Annotation
- Image Review
- Manual Bitmap Archive
- Material Discrimination
- Multi-Tier Accessibility
- Network Ready
- Organic/Inorganic Imaging
- Operator Training
- Picture Perfect
- Print Image Capable
- Pseudo Color
- Real-Time Image Manipulation
- Real-Time Self Diagnostics
- Reverse Monochrome

Optional Features³

- 24" LCD Monitor
- Climate Variable Kit
- Computer Based Training (CBT)
- Custom Paint
- Entry / Exit Roller Tables (50 cm Increments)
- Operator Footmat Interlock
- Heavy Duty Rubber Casters
- Local Language Support
- Radiation Meter
- Remote Workstation Configuration
- Screener Assist Software
- Test Case
- Threat Image Projection (TIP) Software
- Density Alert



¹As tested on Astrophysics Inc. Test Piece.

²Weight of the System may vary depending on customization.

³Optional Features may affect lead time, price, and weight of XIS-5335S. Please contact your Astrophysics Sales Representative for more information. Due to continued product research and development, Astrophysics Inc. reserves the right to amend all technical specifications without prior notice.